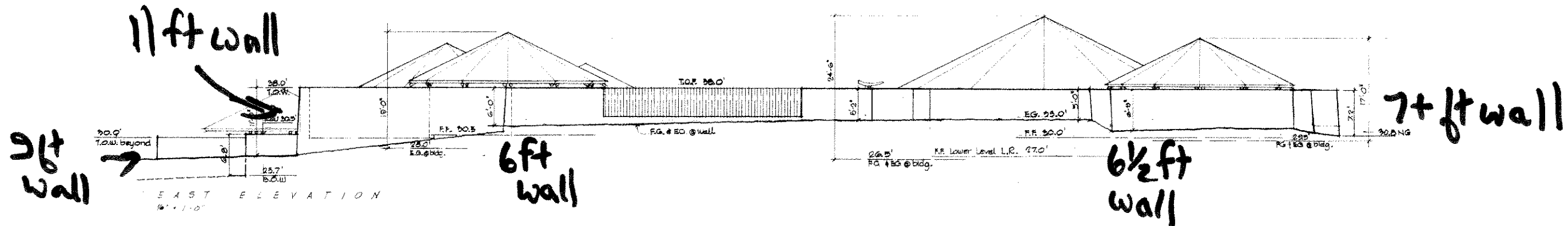
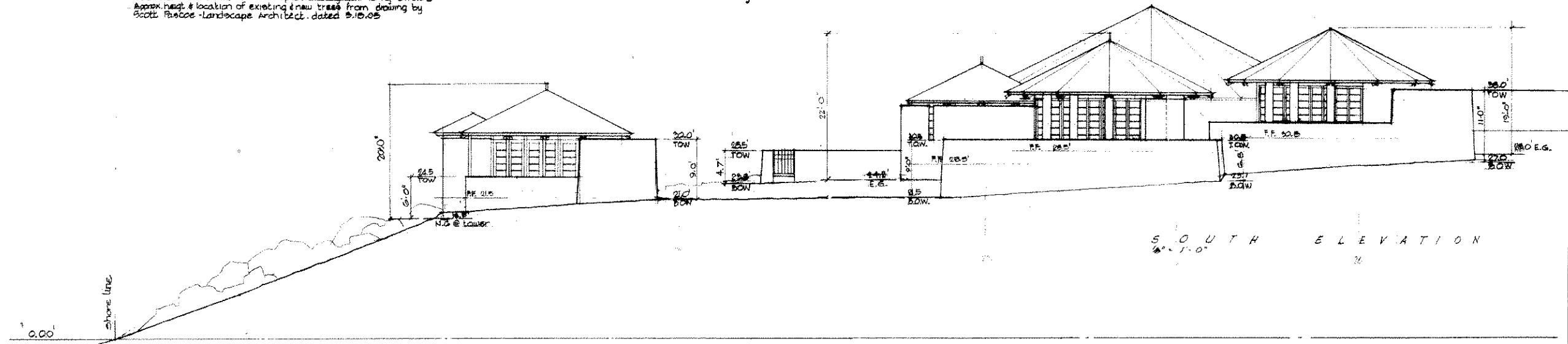


Profile created with TOPO © 2002
 National Geographic (www.nationalgeographic.com/topo)
 modified to reflect on-ground survey from shore line to
 400' from shoreline, provided by Ron Terry 8/12/05
 Approx. height & location of existing & new trees from drawing by
 Scott Pascoe - Landscape Architect, dated 8/18/05



TOW Top of wall
 BOW Bottom of wall
 E.G. Existing Grade
 T.O.F. Top of fence
 F.G. Finished grade
 F.F. Finished floor

SINGLE FAMILY RESIDENCE
 PACIFIC HAWAII COUNTY - STATE OF HAWAII
 DATE 10.15.04 REV 8-25-05

